

6

5

4

3

2

1

D

D

C

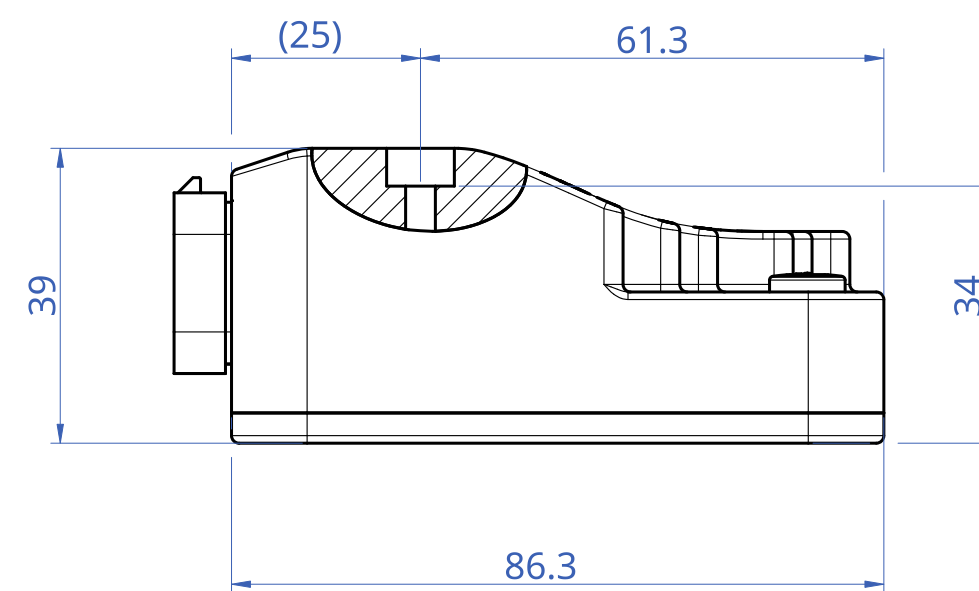
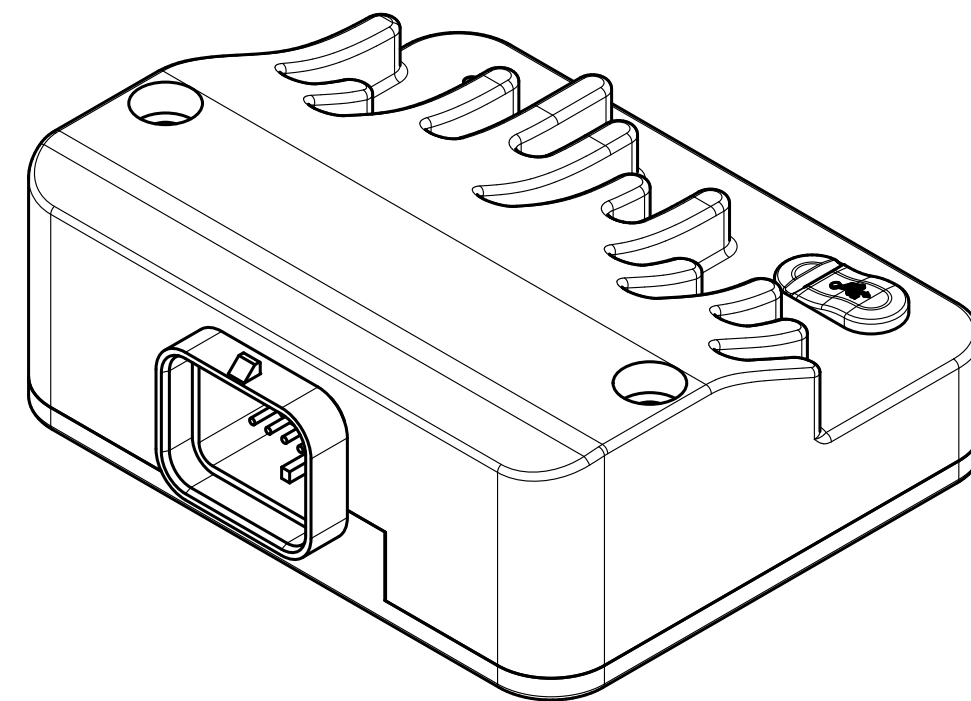
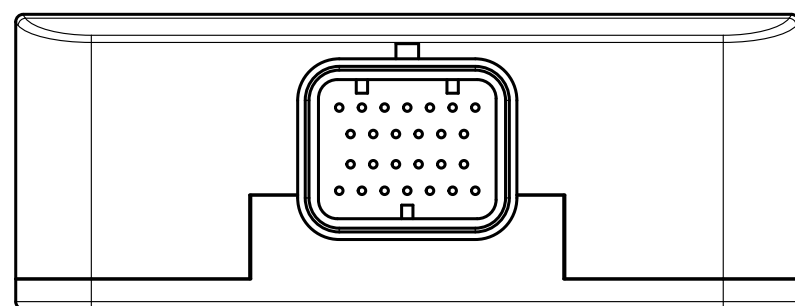
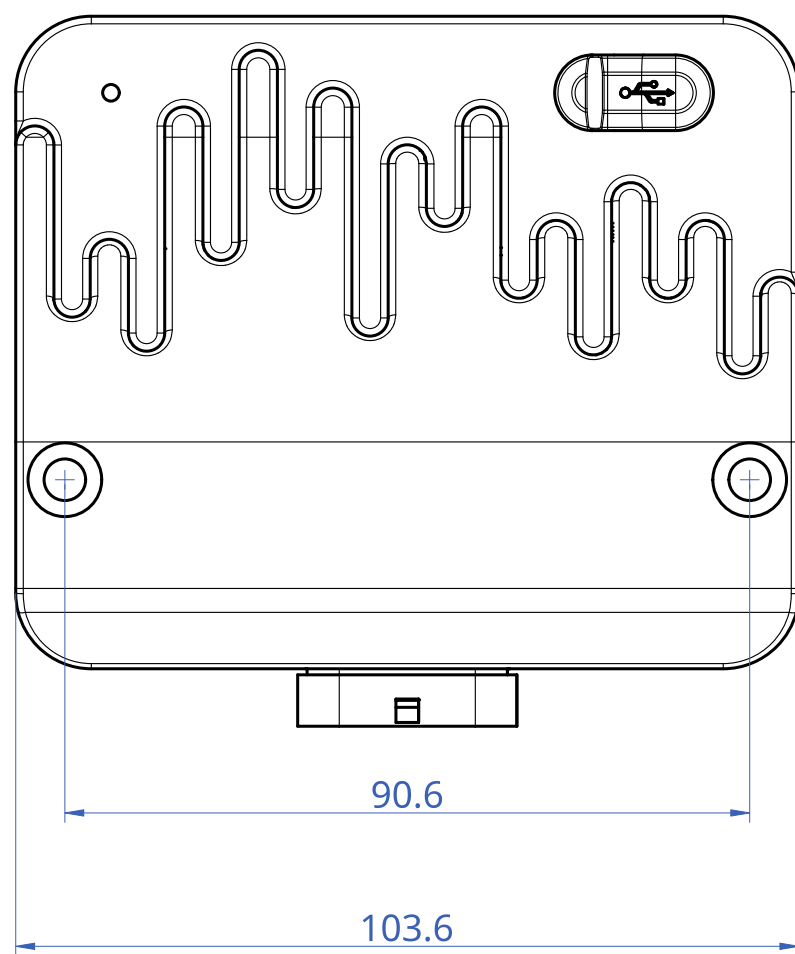
C


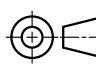
B

B

A

A



	PART NO. 144-5000		DRAWING DESCRIPTION DI DRIVER-4 DIMENSIONS		
	© 2024 LINK ENGINE MANAGEMENT.		DRAWING NO. 144-5000PD	DRAWING REV	SIZE A3
UNLESS OTHERWISE SPECIFIED: DIMENSIONS ARE IN MILLIMETRES DO NOT SCALE DRAWING REFER TO SOLID MODEL FOR NON-DIMENSIONED FEATURES		TOLERANCES AS PER ISO 2768-f DEBURR AND BREAK SHARP EDGES	THIRD ANGLE PROJECTION 	REVISION DESCRIPTION INITIAL RELEASE	MATERIAL N/A
DRAWN ARRON EADES	APPROVED	DATE	SCALE 1:1	MASS 438 g	SHEET 1 of 1

6

5

4

3

2

1